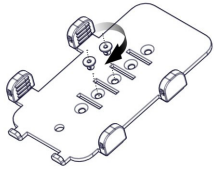
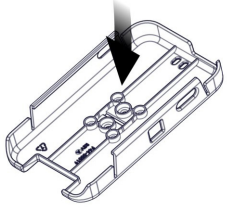
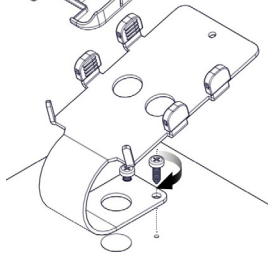
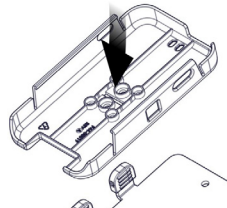


M-Case specific mounting options

MultiGrip™ mount (SPA123)



Desk stand (SPM123)

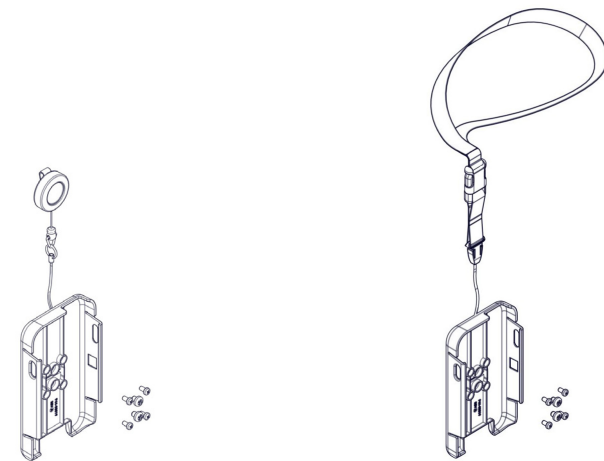
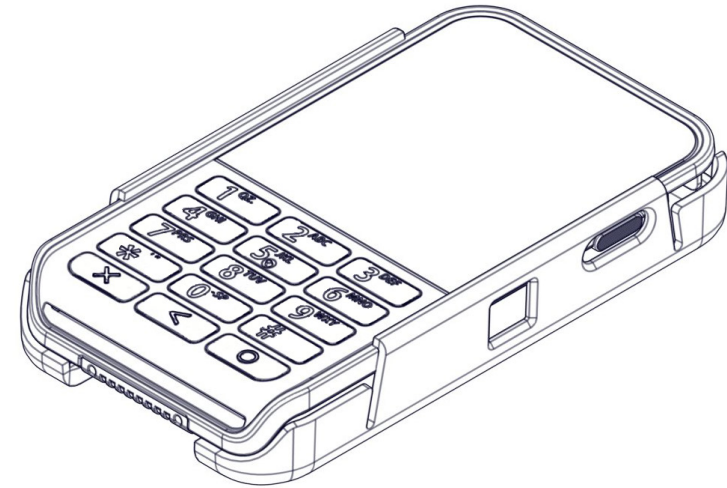


Compatible Mounting and Accessories	
Name	Description
SPM101	SP2 DuraTilt™ Flip High w. pole incl. 40x40/ MultiGrip™ adapter
SPM102	SP1 curved pole 19,5x24,5 w. alu flange cover and 40x40/select adapter w. adaptor cover
SPM104	SP1 low profile pole w. alu flange cover w. 40x40/Select adapter
SPM107	SP Select freestand base fixed tilt 30° w. 40x40 adapter plastic
SPM109	SP Select w. alu flange cover, fixed tilt 30°, 120 mm w. 40x40 adapter plastic
SPM123	Desk stand (c-shape) w. integrated MultiGrip™ f. P44-00019
SPM113	PoS stand no rotation
SPM114	PoS stand with rotation
SPA107	Quick release plastic
SPA123	Multigrip™ plate for M-Case for VeriFone e355

M-Case

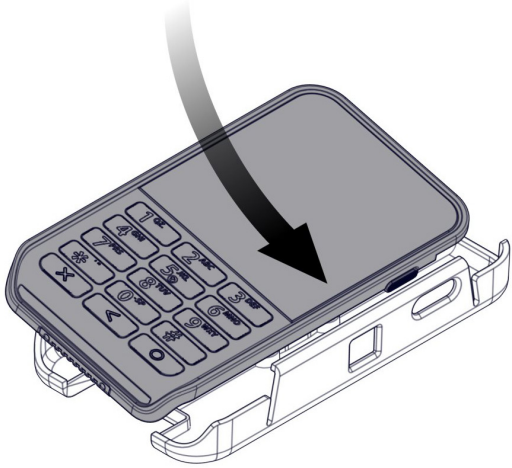
Verifone E355 (SPMC105)

Installation Guide



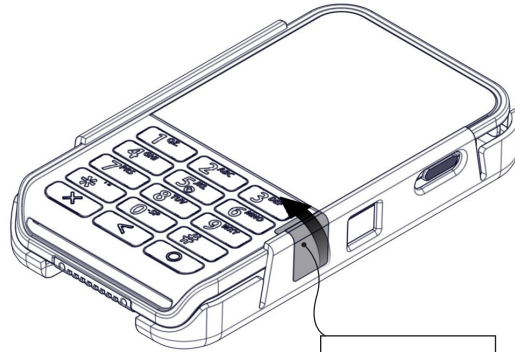
Assemble Verifone E355 with M-Case

1



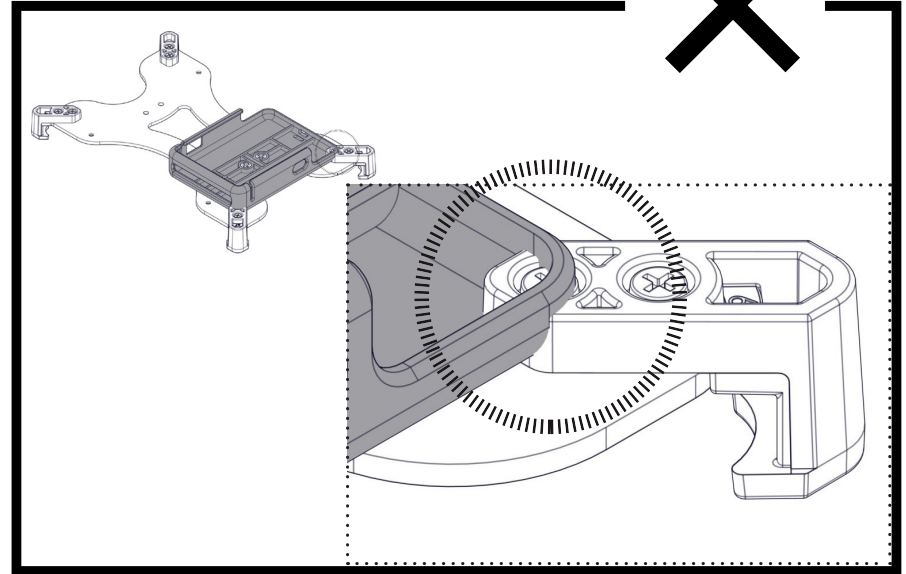
Tamper seal

2



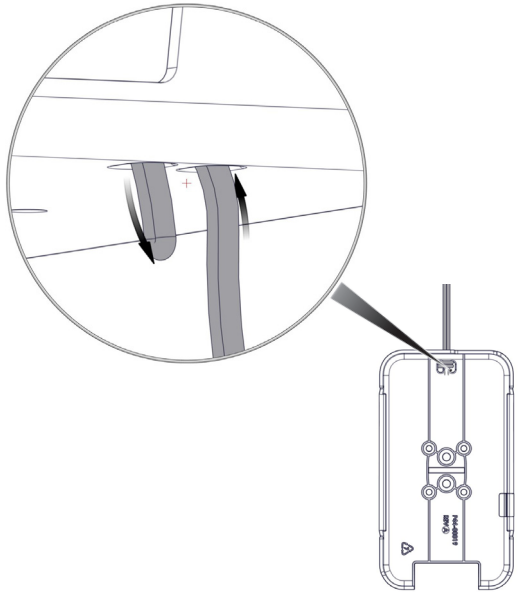
Tamper seal
included in package

Vario Mounting



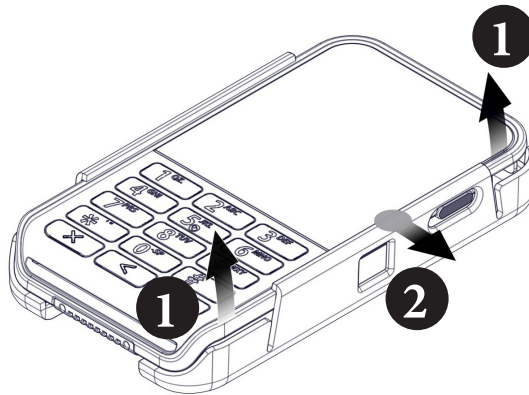
Connecting lanyard

3



Removing Verifone E355 from
M-Case

4



SPA127

